

KOLLER SPA & FILTER PUMPS



Leadership role in whirlpool systems for over 40 years

Koller Whirlpool was founded 1978 and rapidly developed into an international successful company. Koller Whirlpool was one of the first companies worldwide to invent whirlpool technology for bathtubs and to use material made of brass. With over 750 certificates, Koller Whirlpool is a brand for innovative technology – in the past, present and future.

100% in-house development and -production.

We stand for proven Koller quality and produce the complete product range solely in our factories in the European zone.

Complete solutions from pumps to lighting.

Koller products are perfectly matched in terms of their appearance and mechanics and are developed in close cooperation with our customer and partners. We offer complete solutions regarding whirlpool and spa!

Koller quality guarantee.

Trust is a good thing, but control is a better one. Therefore our products pass a schematic plan and are examined carefully before shipment.

We look forward to continued good cooperation and partnership and mutual success!

Your Family Koller



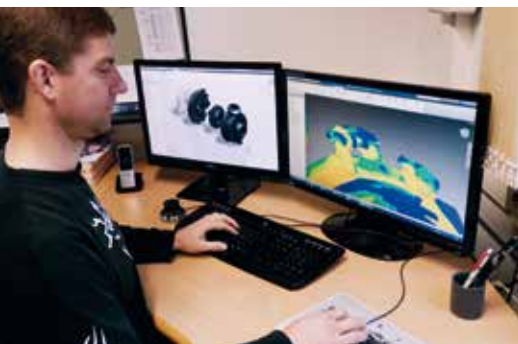
Rudolf Koller



Bernhard Koller



Karin Drucker



Development. Production. Assemblage. Everything under one roof.

Worldwide sales – highest customer satisfaction!

The products of Koller Whirl Systems are sold around the globe. Apart from our production sites we operate sales offices for global sales in Malta, Valencia, Prague, Moscow and London, as well as six big warehouses (Austria, Czech Republic, Spain, Russia, Great Britain and China). You'll find the contact for your country at **whirl.rkoller.com**

KOLLER PUMP TECHNOLOGY – the new performance class in the SPA area.

In addition to our production of whirlpool accessory parts, KOLLER also develops and manufactures pumps for spa-whirlpools. These innovative products are in comparison to similar products on the market by far more energy efficient and the pump capacity is higher.

KOLLER is the perfect choice:

- compact dimensions lead to space saving installation
- usable for the construction of a new whirlpool or retrofitting of an existing system

SPA JET PUMP – specially designed for large spa-systems

The ideal solution for large spa-systems due to the high pumping capacity and an ideal low energy consumption. In addition to the numerous advantages, the pump head can be installed in three positions. For residual water drainage, three connections are available.

single-speed and double-speed version

The single-speed version can be used as a therapy pump due to the high throughput capacity. Within the double-speed version there are two performances combined in one motor which is a major benefit: filter- and therapy pump in one product.

PRODUCT FEATURES

- suitable for large whirlpools & spa systems
- high throughput capacity (from 50 m³/h to 72 m³/h)
- 2 inch connection (50 mm or 63 mm)
- central suction and sideoutlet
- pumphead in 3 positions mountable
- high efficiency
- 3 connections for optimal drain of remaining water
- available as single speed and double speed pump

double-speed version:

- 2 applications in one product
- as therapy and filterpump usable
- high speed for therapy purposes and the low speed for usage as a filter pump
- low operating costs
- save up to Eur 1000,- per year in comparison to conventional pumps



SINGLE SPEED SPA JET PUMP



1/4" connections for drain of remaining water (please include when ordering - not included in delivery)



Elbow 90° 600990-D

Order No.: P-600990-D

see main catalogue page 4.3



Hose nipple 90219-D

Order No.: P-90219-D

see main catalogue page 4.14



Screw plug 90220

Order No.: P-90220

see main catalogue page 4.14



Cartridge connection with thread 90219-10

Order No.: P-90219-10

see main catalogue page 4.22

line voltage	input	length	test mark	weight	Order No.
220 - 240V 50Hz	2,0 HP 1,5 kW	392 mm	CE, ÖVE	12,8 kg	240 4631A
220 - 240V 50Hz	2,5 HP 1,85 kW	392 mm	CE, ÖVE	14,2 kg	240 4632A
220 - 240V 50Hz	3,0 HP 2,2 kW	392 mm	CE, ÖVE	15,6 kg	240 4633A
220 - 240V 50Hz	3,5 HP 2,6 kW	392 mm	CE, ÖVE	17,4 kg	240 4634A

cable length:

3 m with wire end ferrules

system of protection:

IP X5



For the version with plug please attach to the order number „-J“.



DOUBLE SPEED SPA JET PUMP



1/4" connections for drain of remaining water (please include when ordering - not included in delivery)



Elbow 90° 600990-D

Order No.: P-600990-D

see main catalogue page 4.3



Hose nipple 90219-D

Order No.: P-90219-D

see main catalogue page 4.14



Screw plug 90220

Order No.: P-90220

see main catalogue page 4.14



Cartridge connection with thread 90219-10

Order No.: P-90219-10

see main catalogue page 4.22

line voltage	input step 1	input step 2	length	test mark	weight	Order No.
220 - 240V 50Hz	2,0 HP 1,5 kW	0,45 HP 0,33 kW	405 mm	CE, ÖVE	14,6 kg	240 4641A
220 - 240V 50Hz	2,5 HP 1,85 kW	0,50 HP 0,38 kW	405 mm	CE, ÖVE	16,0 kg	240 4642A
220 - 240V 50Hz	3,0 HP 2,2 kW	0,55 HP 0,42 kW	405 mm	CE, ÖVE	17,0 kg	240 4643A
220 - 240V 50Hz	3,5 HP 2,6 kW	0,65 HP 0,48 kW	445 mm	CE, ÖVE	20,8 kg	240 4644A

cable length:

3 m with wire end ferrules

system of protection:

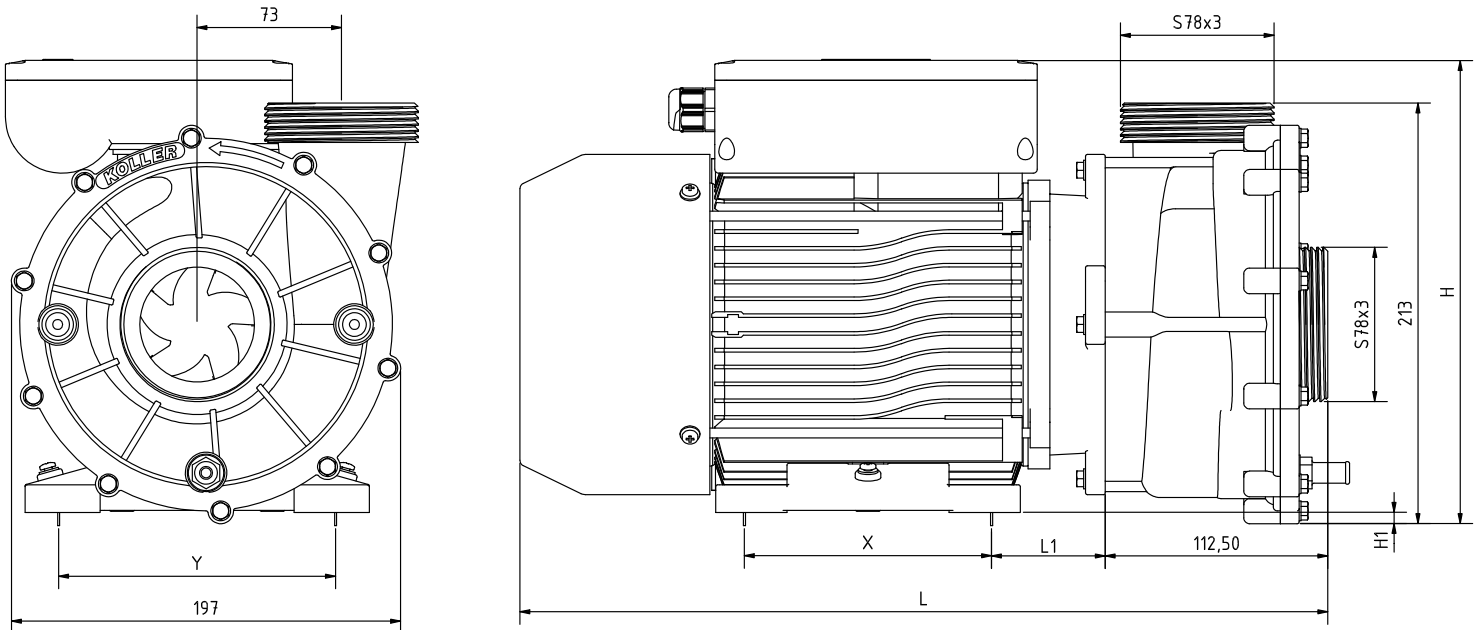
IP X5



For the version with plug please attach to the order number „-J“.



DIMENSIONAL DRAWING



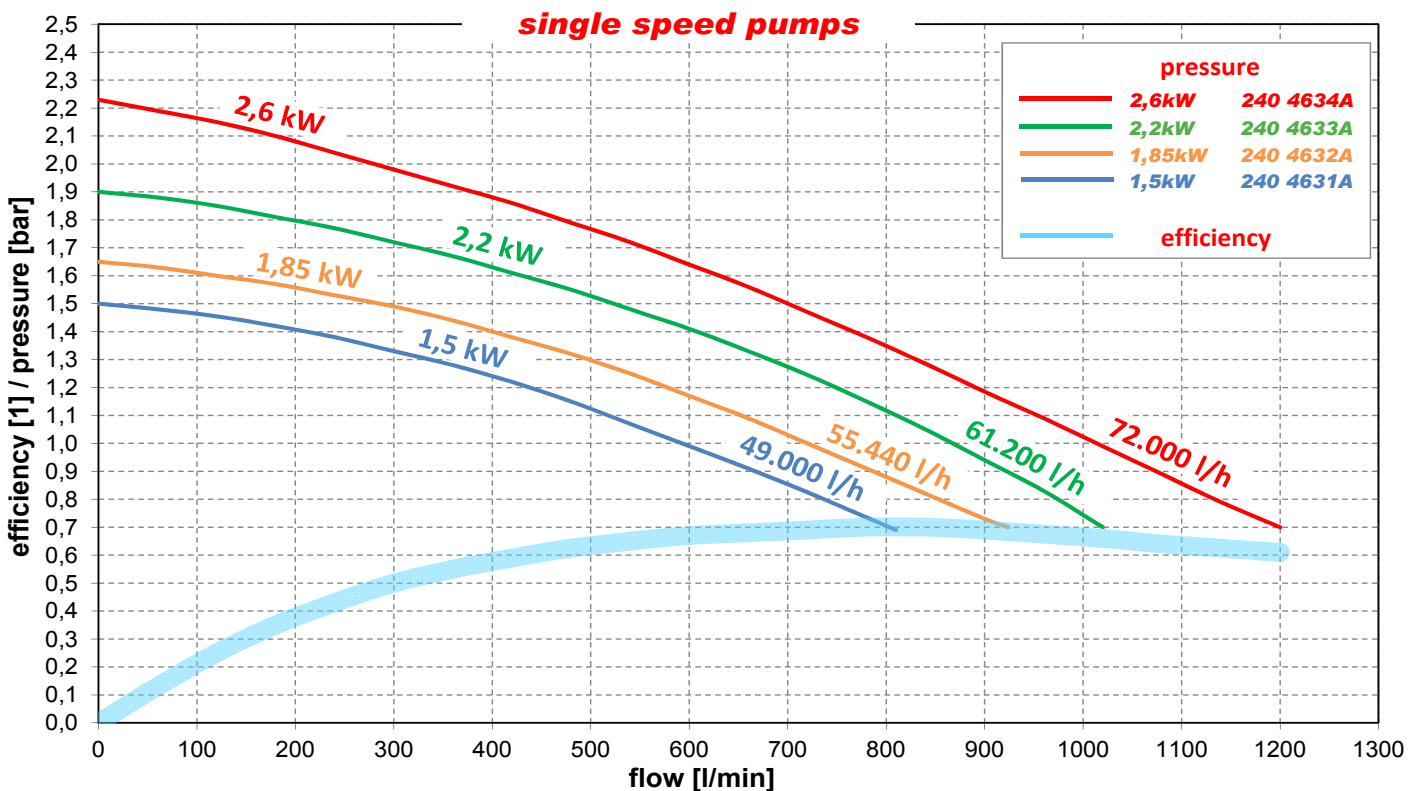
1-stufige Pumpen / single speed pumps

order no.	L	L1	H	H1	X	Y
240 4631A	392	57,5	238	6	125	140
240 4632A	392	57,5	238	6	125	140
240 4633A	392	57,5	238	6	125	140
240 4634A	392	57,5	238	6	125	140

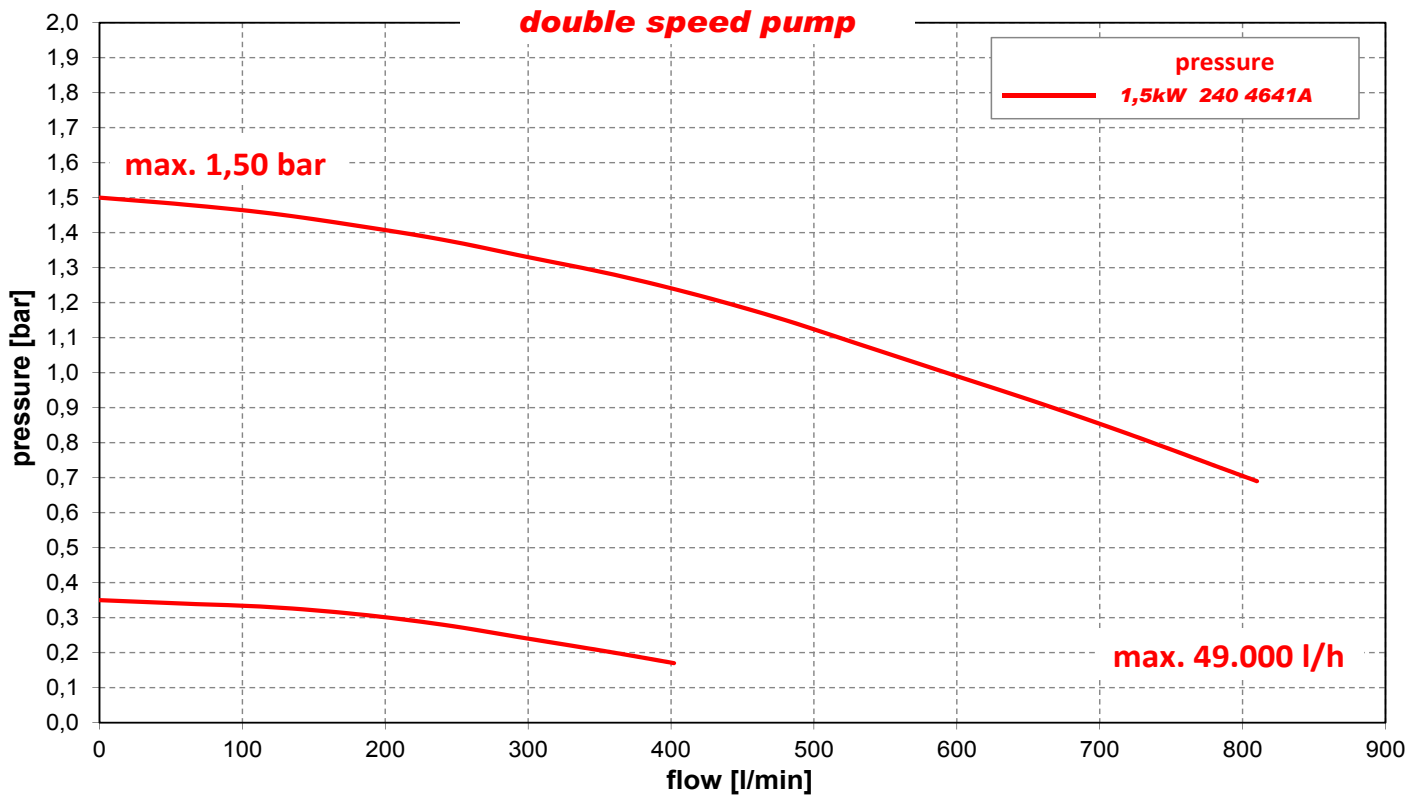
2-stufige Pumpen / double speed pumps

order no.	L	L1	H	H1	X	Y
240 4641A	405	57,5	238	6	125	140
240 4642A	405	57,5	238	6	125	140
240 4643A	405	57,5	238	6	125	140
240 4644A	445	57,5	228	8	125	140

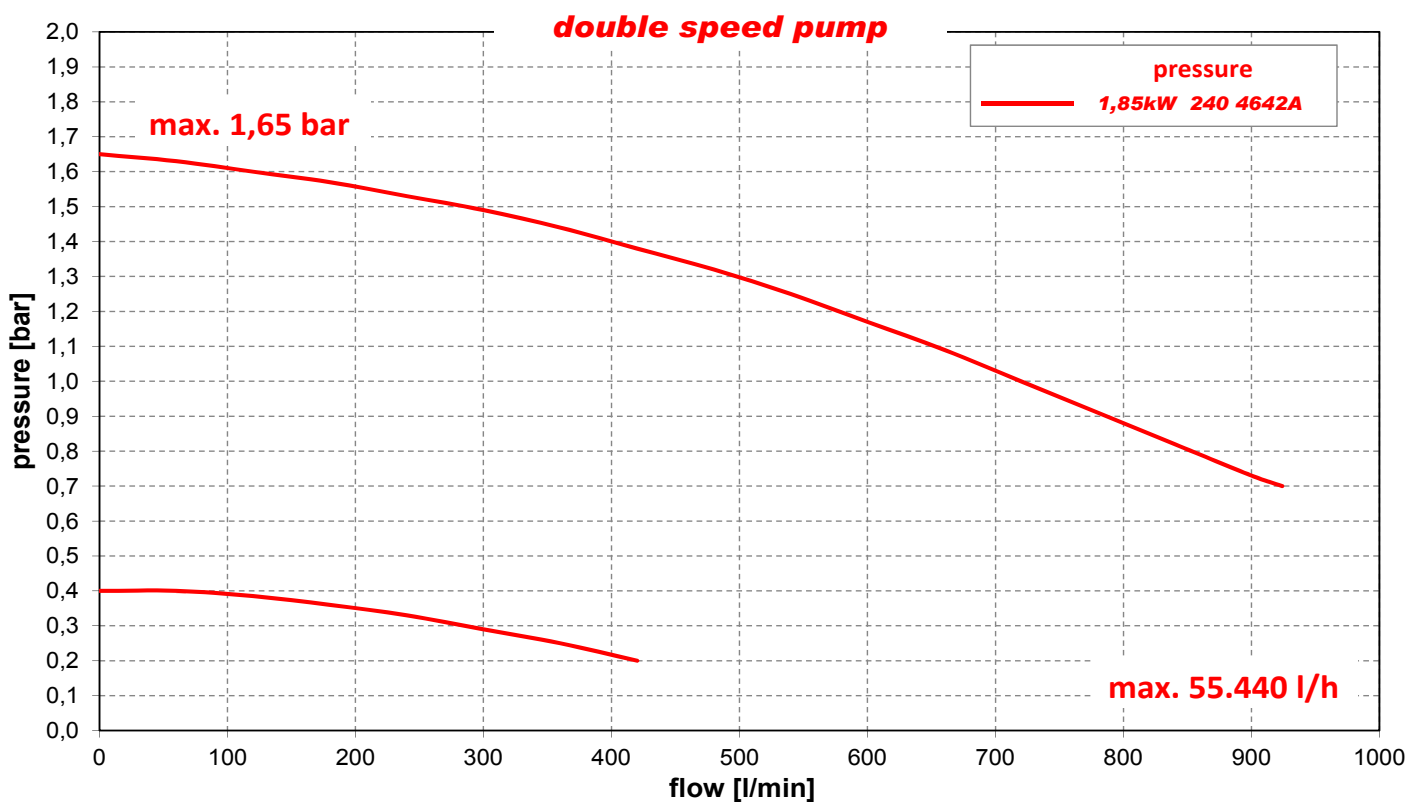
PERFORMANCE CURVES single speed pump



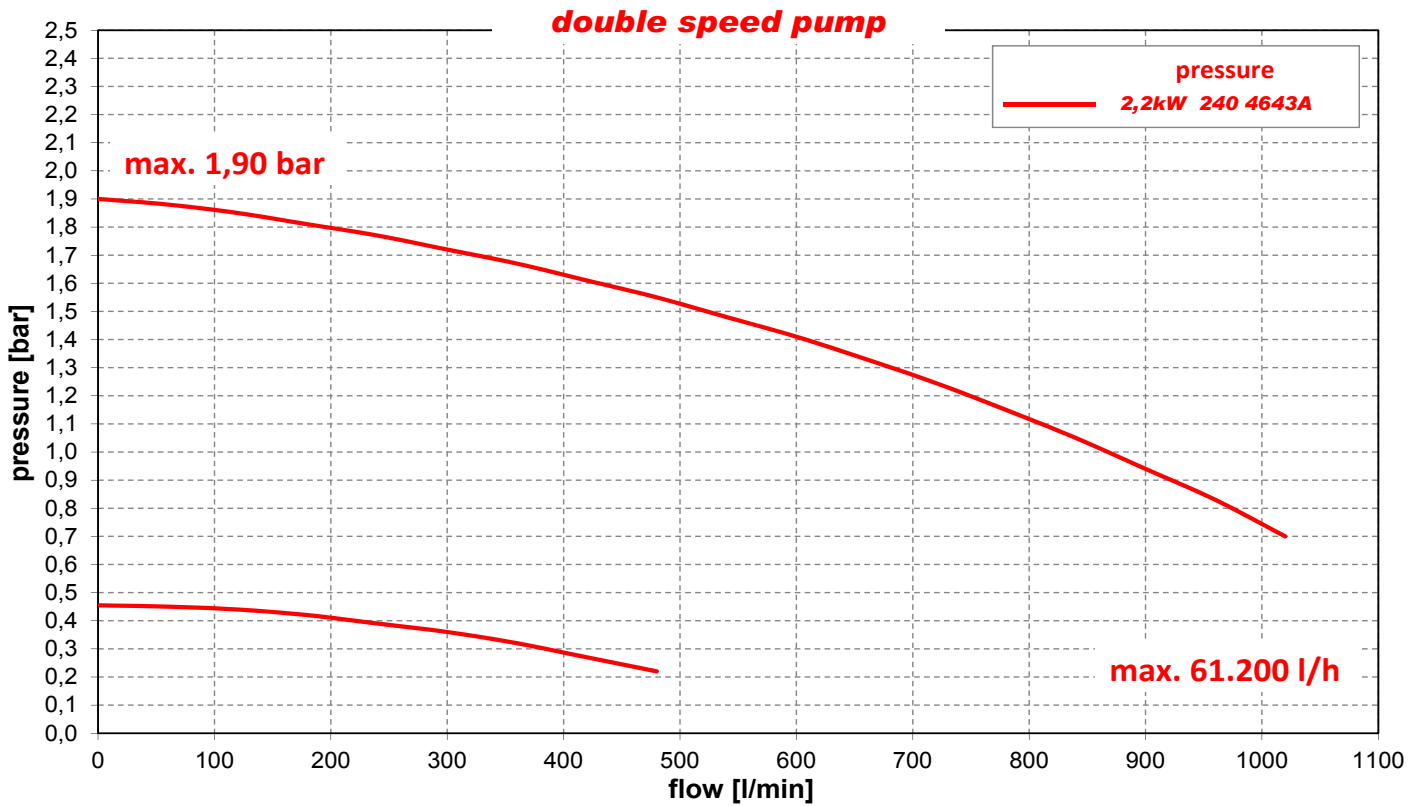
PERFORMANCE CURVE 1,5 kW



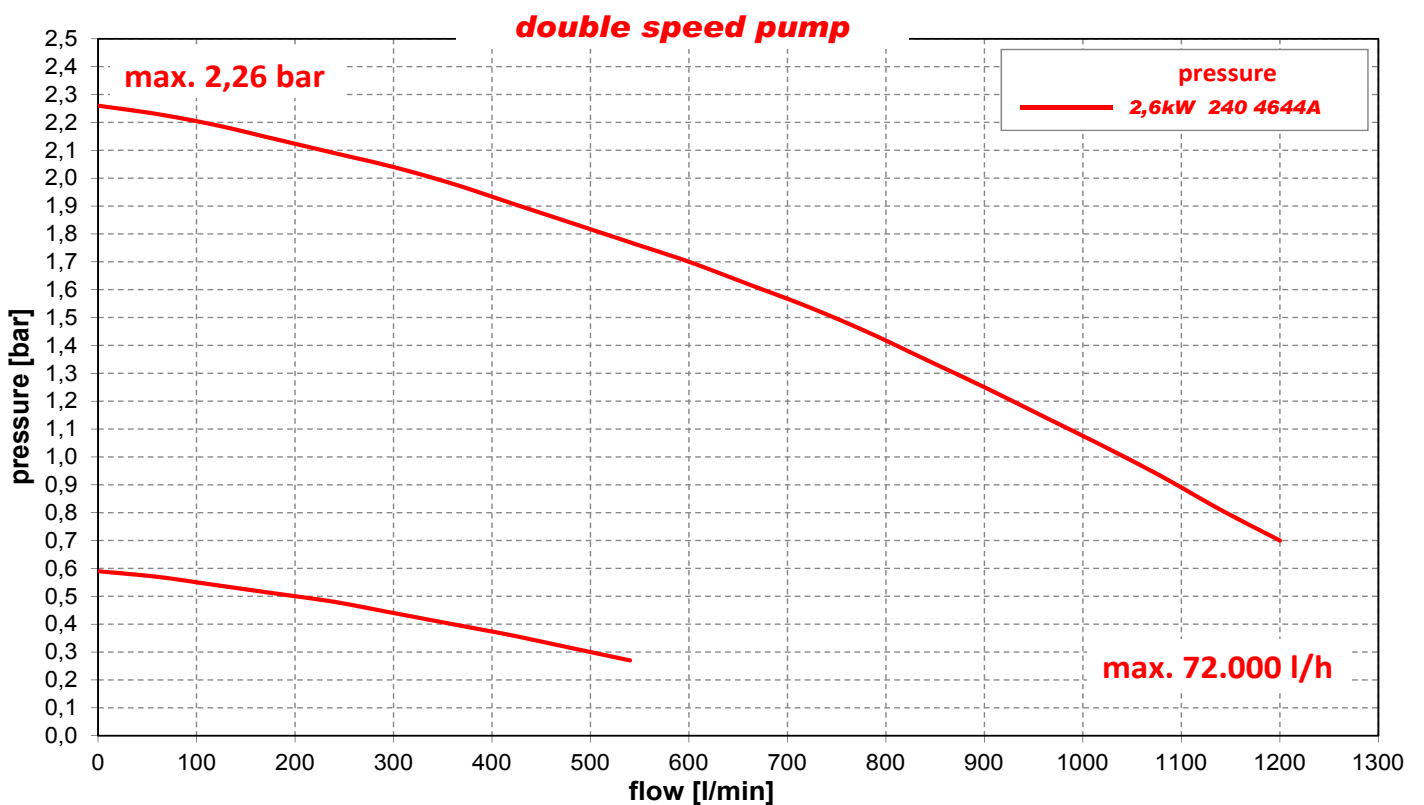
PERFORMANCE CURVE 1,85 kW



PERFORMANCE CURVE 2,2 kW



PERFORMANCE CURVE 2,6 kW



CONNECTION PIECES


Union straight

Thread: S 78 x 3 mm
Adhesive socket Ø: 2"
Weight: 122 g

Order No. 400-5570


Union straight

Thread: S 78 x 3 mm
Adhesive socket Ø: 1 1/2"
Weight: 143 g

Order No. 400-9230


Elbow 90°

Thread: S 78 x 3 mm
Adhesive socket Ø: 2"
Weight: 255 g

Order No. 400-5800


Elbow 45°

fitting in fitting
Thread: S 78 x 3 mm
Outside diameter Ø: 2"
Weight: 151 g

Order No. 400-4300


Reduction long

Outside diameter Ø: 2"
Adhesive socket Ø: 63 mm
Weight: 86 g

Order No. 417-6197


Reduction long

Outside diameter Ø: 1 1/2"
Adhesive socket Ø: 50 mm
Weight: 70 g

Order No. 417-6137


Reduction

Outside diameter Ø: 2"
Adhesive socket Ø: 1 1/2"
Weight: 55 g

Order No. 421-4070

LEGS


**Leg for SPA pump with
2 nuts M8**

Height: 20 mm
Diameter: 30 mm
Thread length: 23 mm
Weight: 59 g

Order No. 1857-23

SPA FILTER PUMPS – for the highest level of energy efficiency



double union without gluing
optimum adaption for all room layouts.



small & compact
and a broad spectrum of
filter performance



quick and easy installation
quick and easy installation – with the integra-
ted C-profile and the "Quick Fix Vario"-moun-
ting system. Alternatively also mountable with
standard legs from our assortment.

Further advantages are:

- easy installation
- robust and durable in its design
- optionally with self-drain and cartridge- drain

The patented SUPA STEALTH – Technology® (SST) guarantees the perfect adaptation of the hydraulic design and increases the energy performance.

SPA FILTER PUMP with integrated C-Profile



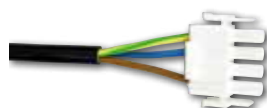

PHOTO	line voltage	input	length	test mark	weight	Order No.
with cartridge drain						
A	220 - 240V 50Hz	0,16 HP 0,12 kW	267 mm	CE, *	3,1 kg	136-120 WC
A	220 - 240V 50Hz	0,27 HP 0,20 kW	267 mm	CE, *	3,5 kg	136-200 WC
A	220 - 240V 50Hz	0,40 HP 0,30 kW	267 mm	CE, *	4,0 kg	136-300 WC
A	220 - 240V 50Hz	0,54 HP 0,40 kW	280 mm	CE, *	4,3 kg	136-400 WC
with self-drain						
B	220 - 240V 50Hz	0,16 HP 0,12 kW	282 mm	CE, *	3,1 kg	146-120 WE
B	220 - 240V 50Hz	0,27 HP 0,20 kW	282 mm	CE, *	3,5 kg	146-200 WE
B	220 - 240V 50Hz	0,40 HP 0,30 kW	282 mm	CE, *	4,0 kg	146-300 WE
B	220 - 240V 50Hz	0,54 HP 0,40 kW	300 mm	CE, *	4,3 kg	146-400 WE

*ÖVE in preparation

with integrated c-profile - suitable for mounting with quick fix vario (series 26111X) - see main catalogue chapter legs

cable length:

3 m with wire end ferrules



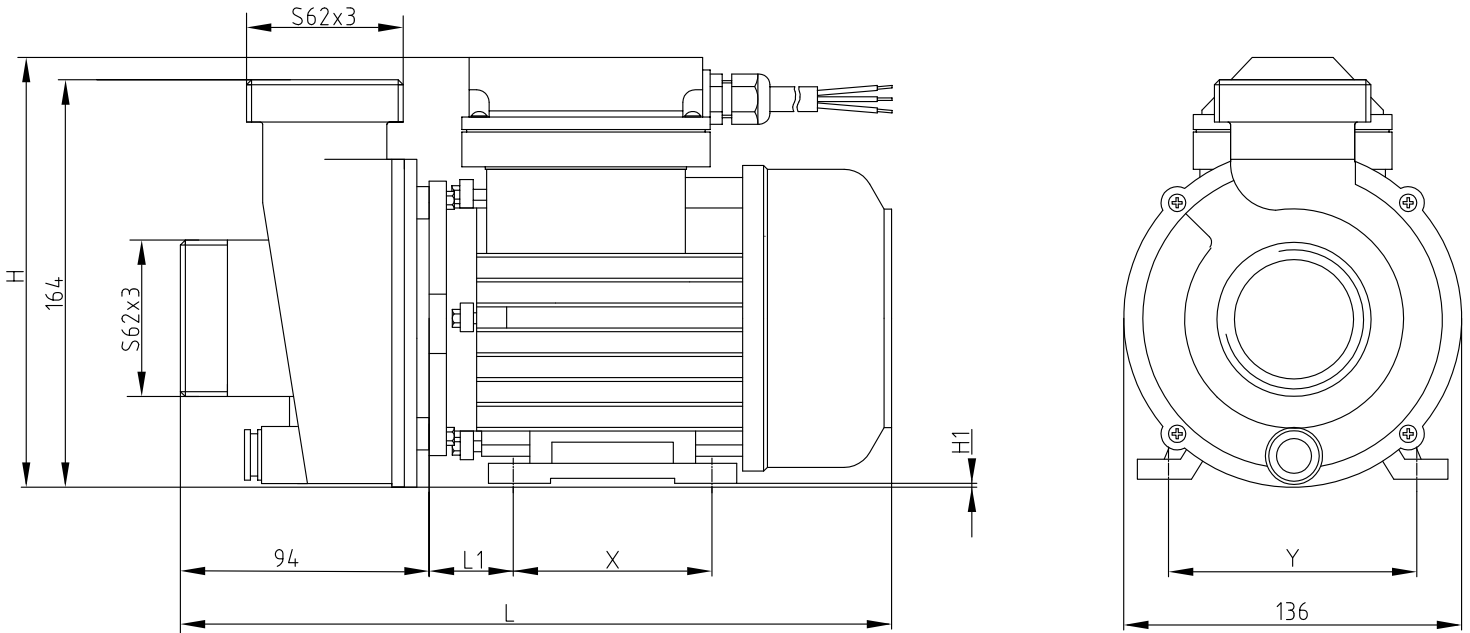
system of protection:

IP X5

For the version with plug please attach to the order number „-J“.

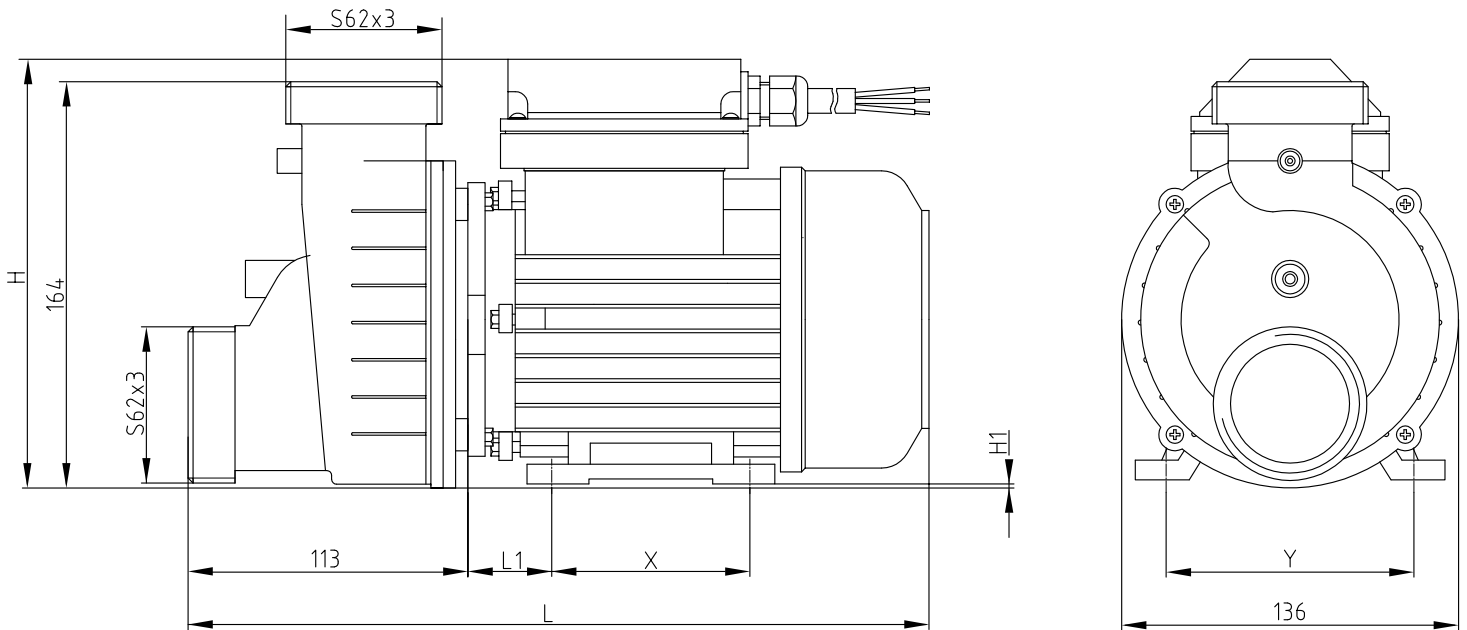


DIMENSIONAL DRAWING - Filter pump with cartridge drain



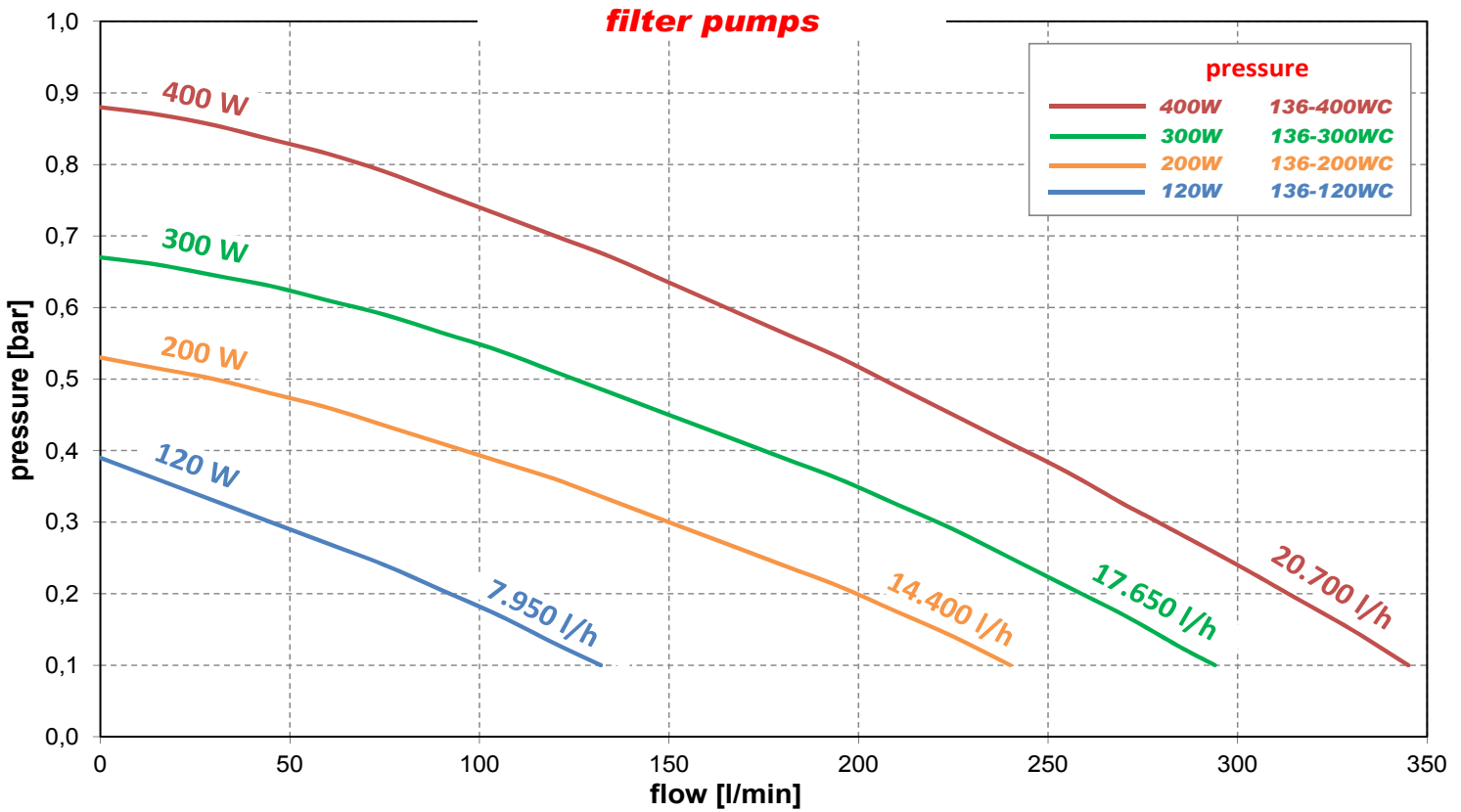
Bestell Nr. / order no.	L	L1	H	H1	X	Y
136-120WC	267	32	178	3	72	90
136-200WC	267	32	178	3	72	90
136-300WC	267	32	178	3	72	90
136-400WC	280	33	180	0	80	100

DIMENSIONAL DRAWING - Filter pump with self-drain

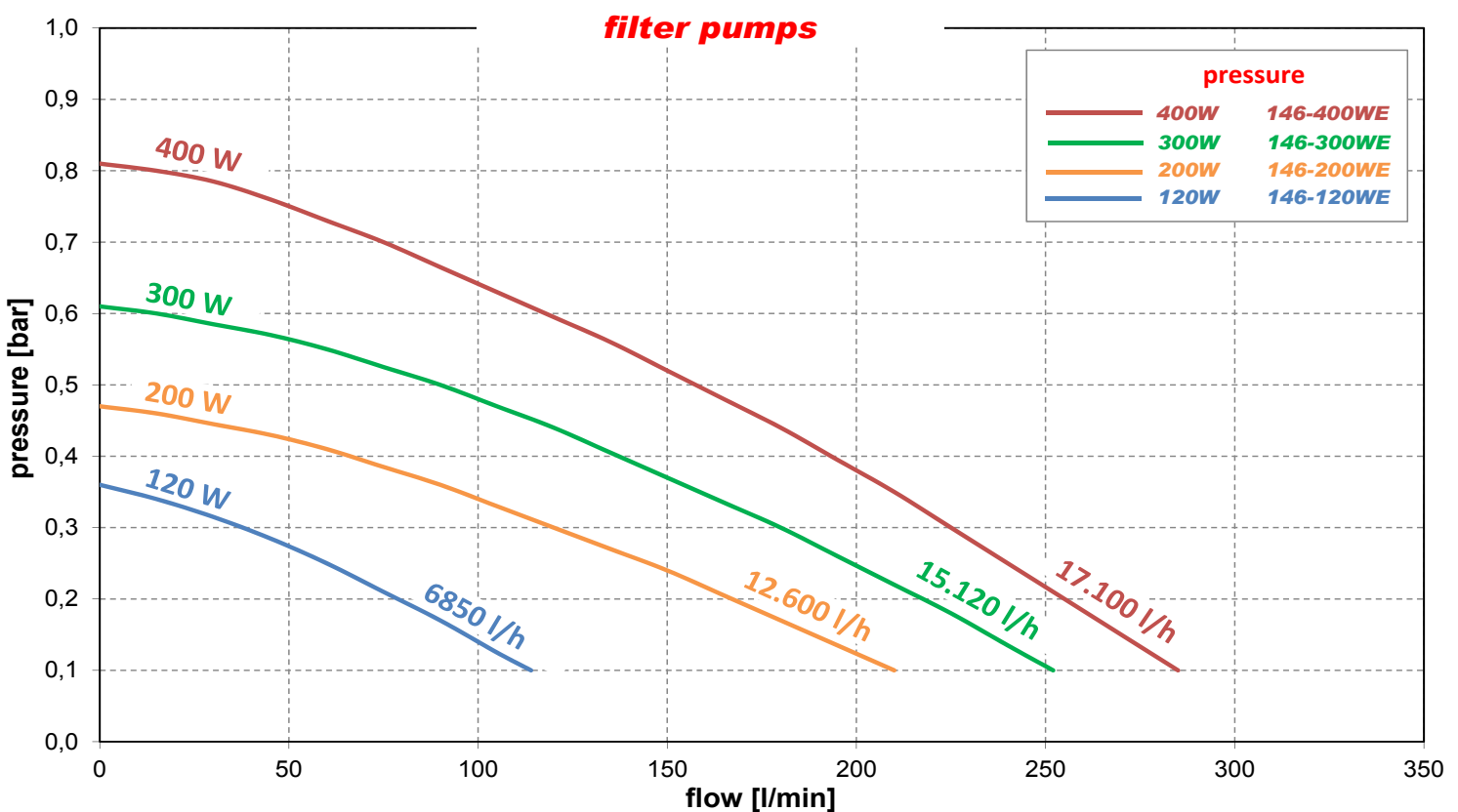


Bestell Nr. / order no.	L	L1	H	H1	X	Y
146-120WE	282	32	178	3	72	90
146-200WE	282	32	178	3	72	90
146-300WE	282	32	178	3	72	90
146-400WE	300	33	180	0	80	100

PERFORMANCE CURVE - with cartridge drain



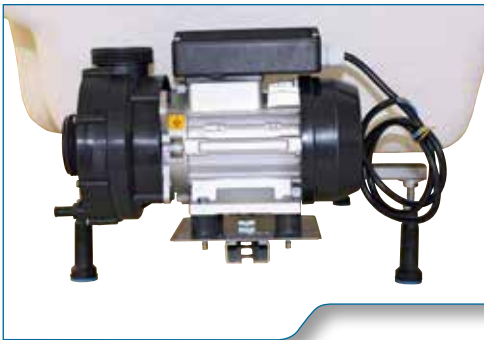
PERFORMANCE CURVE - with self-drain



C-Profile



SPACE SAVING AND COST SAVING COMPARED

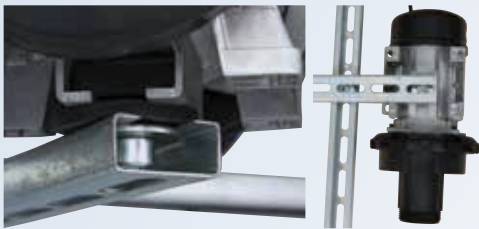


For the filter pump without C-Profile you need **15 pieces!**

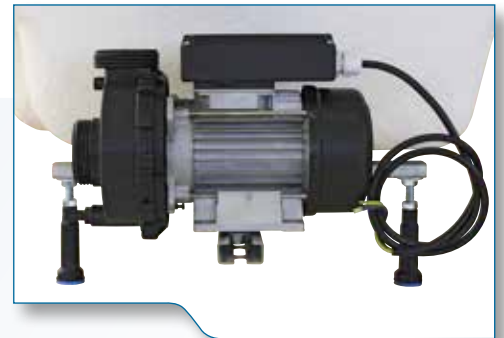
WITHOUT C-PROFILE



WITH C-PROFILE



For the filter pump with C-Profile you need **4 pieces!**



Double unions

KOLLER double unions are – **for individual adaptation to any spatial requirements** - available:

without gluing!



A straight connection




B corner solution with a 90°



C or 45° connection


G-PROFILE MOUNTING + QUICK FIX VARIO



Screw 69121020

Order No. VZ-69121020
VZ-9121020

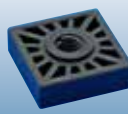
see main catalogue page 5.16



Washer 4401133

Order No. VZ-4401133

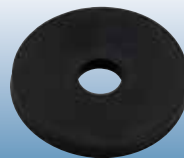
see main catalogue page 5.16



Square washer series 685-XX

Order No. P-685-10
P-685-12


see main catalogue page 5.17



Rubber washer NBR-601250

Order No. NBR-601250

see main catalogue page 5.16



Quick fix vario series 26111X

Order No. P-261110
P-261111
P-261112
P-261113
P-261114

see main catalogue page 5.19

CONNECTION PIECES

	<p>Union series 858</p> <p>Order No. P-858-32 * 858-40 858</p> <p>see main catalogue page 8.19 * suitable only for pressure line</p>	 <p>Union 858/A</p> <p>Order No. P-858/A</p> <p>see main catalogue page 8.20</p>
	<p>Union 858-1</p> <p>Order No. P-858-1</p> <p>see main catalogue page 8.20</p>	 <p>Elbow 90° 859-40</p> <p>Order No. P-859-40</p> <p>see main catalogue page 8.21</p>
	<p>Elbow 90° 859-50</p> <p>Order No. P-859-50</p> <p>see main catalogue page 8.21</p>	 <p>Elbow 67° series 859-42</p> <p>Order No. P-859-42 P-859-52</p> <p>see main catalogue page 8.21</p>
	<p>Elbow 45° series 859-41</p> <p>Order No. P-859-41 P-859-51</p> <p>see main catalogue page 8.21</p>	 <p>Elbow 23° series 859-43</p> <p>Order No. P-859-43 P-859-53</p> <p>see main catalogue page 8.22</p>

CONNECTION PIECES – INCH

	<p>Union 858/2</p> <p>Order No. P-858/2</p> <p>Thread: S 62 x 3 mm Adhesive socket Ø: 1 1/2" Weight: 76 g</p>	 <p>Elbow 90° 859-50/2 with shared screw nut</p> <p>Order No. P-859-50/2</p> <p>Thread: S 62 x 3 mm Adhesive socket Ø: 1 1/2" Weight: 165 g</p>
---	--	---

DOUBLE UNIONS – FOR HEATING, ETC.

	<p>Double union 5181</p> <p>Order No. P-5181</p> <p>see main catalogue page 6.5</p>	 <p>Double union 90° 5182</p> <p>Order No. P-5182</p> <p>see main catalogue page 6.5</p>
	<p>Double union 45° 5183</p> <p>Order No. P-5183</p> <p>see main catalogue page 6.5</p>	

At your service, worldwide!



You will find all our contact details at whirl.rkoller.com



RUDOLF KOLLER Ges.m.b.H.
 A-1210 VIENNA
 Brünner Straße 313-315
 Tel.: +43/1/604 43 33
office.vienna.at@rkoller.com

A-3902 VITIS
 Rudolf-Koller-Straße 1
 Tel.: +43/2841/8207
office.vitis.at@rkoller.com

RUDOLF KOLLER spol.s r.o.
 CZ-37701 JINDRICHUV HRADEC
 Dolni Pena 201
 Tel.: +420/384/370 410
office.jhradec.cz@rkoller.com



Technical specifications and printing errors are subject to change without prior notification. © Copyright reserved.